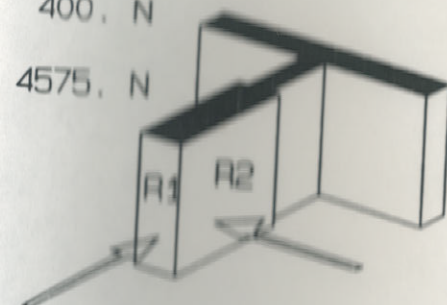
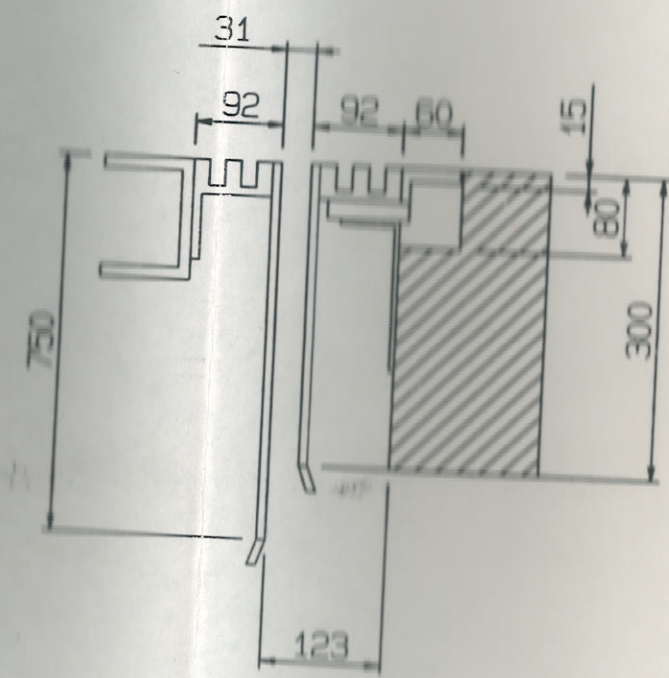


R1= 400. N
R2= 4575. N



FLOOR -1 0 1 2



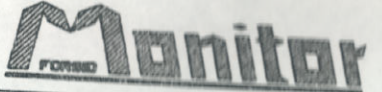
DOOR SILL

A

B

FLOOR -1

a: BRACKETS TYPE

14.3.97	SEE ALSO :	LIST CO-970600 L page 3/4	REVISION SYMBOLS
		HYDRAULIC LIFT	a 7-7-97 P.P. d
		1650. kg 22 pers.	b e
CUSTOMER: PILAWA UL. TECZOWA 1 - KOLOBREZEG YARD		0.40 m/s 10.05 m	c f
		HORIZONTAL SECTION	DRAWN L.M.
		LIFT N.	CHECKED R.G.
			DRAWING N.